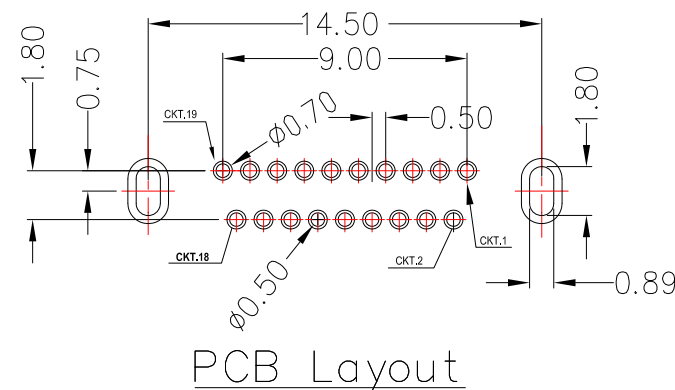


HDMI-19P-VA-x-S297

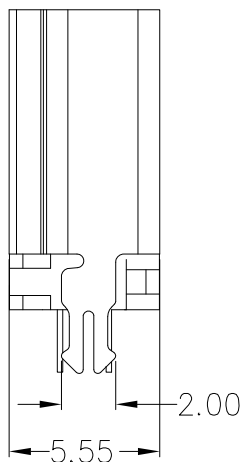
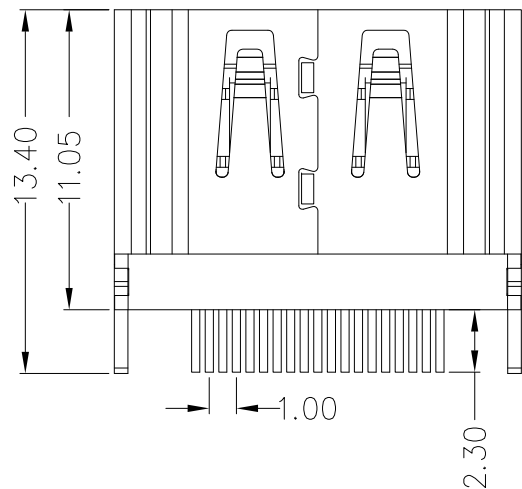
鍍層厚度:

Blank : 1u"
2 : 15u"
3 : 30u"



NOTE:

- 1.MATERIAL:
 - 1.1 HOUSING:LCP
 - 1.2 CONTACT:BRASS
 - 1.3 SHELL: BRASS
- 2.PLATING :
 - 2.1 CONTACT: Au PLATING ON THE CONTACT AREA;
TIN PLATING ON THE SOLDER AREA;
NICKEL UNDERPLATING OVERALL;
 - 2.2 SHELL: NICKEL PLATING OVERALL;
- 3.ELECTRICAL:
 - 3.1 RATING: 0.5A
 - 3.2 DIELECTRIC WITHSTANDING VOLTAGE: AC 500V
 - 3.3 INSULATION RESISTANCE: 100M Ω MIN;
 - 3.4 CONTACT RESISTANCE: 30 m Ω MAX;
 - 3.5 OPERATING TEMPERATURE: -20 $^{\circ}$ C~ 85 $^{\circ}$ C



CONTACT 建倚科技股份有限公司
CONTACT TECHNOLOGY CORP.

TOLERANCE UNLESS OTHERWISE STATED :
 Up to 5 ± 0.2
 Above 5 ~ 15 ± 0.3
 Above 15 ~ 30 ± 0.4
 Above 30 ~ 50 ± 0.5
 Angle $\pm 0.3^{\circ}$

3RD. ANGEL'S



UNITS MM

DRAWN BY:	DATE	MAT'L	TITLE	CONNECTOR
Jack Lu	07/21/23			
CHECKED BY:	DATE	FINISH	MODLE	HDMI A TYPE 母座插板式
Jacky Chen	07/21/23			
APPROVED BY:	DATE	SCALE	DWG NO.	HDMI-19P-VA-x-S297
Tony Kao	07/21/23	1 : 1	PART NO.	HDMI-19P-VA-x-S297
		SHEET NO.	1 of 1	

1	更新圖面	Jack	072123
ITEM NO.	DESCRIPTION	DRAWN	DATE